

# CBM/3-10/10 8-1500 A E00

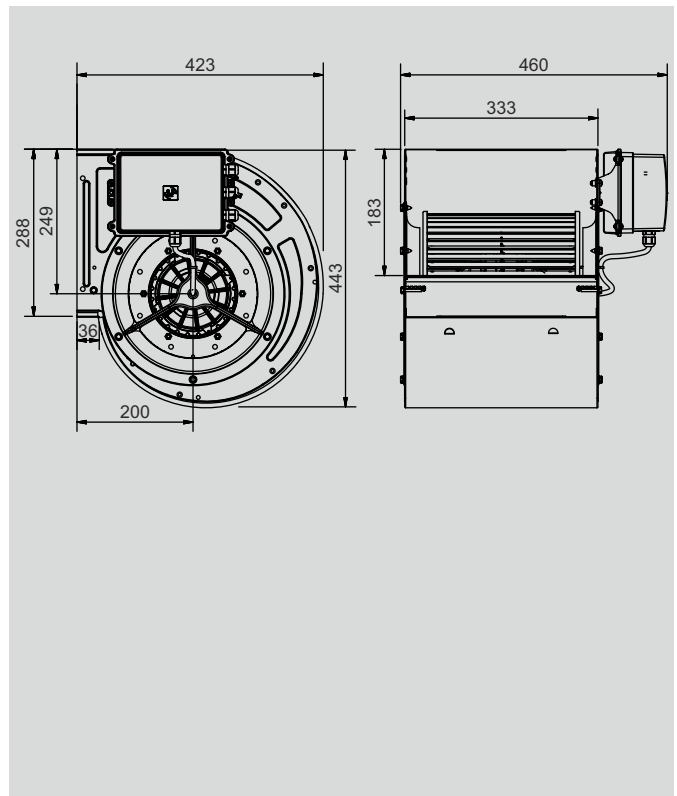
## IP55



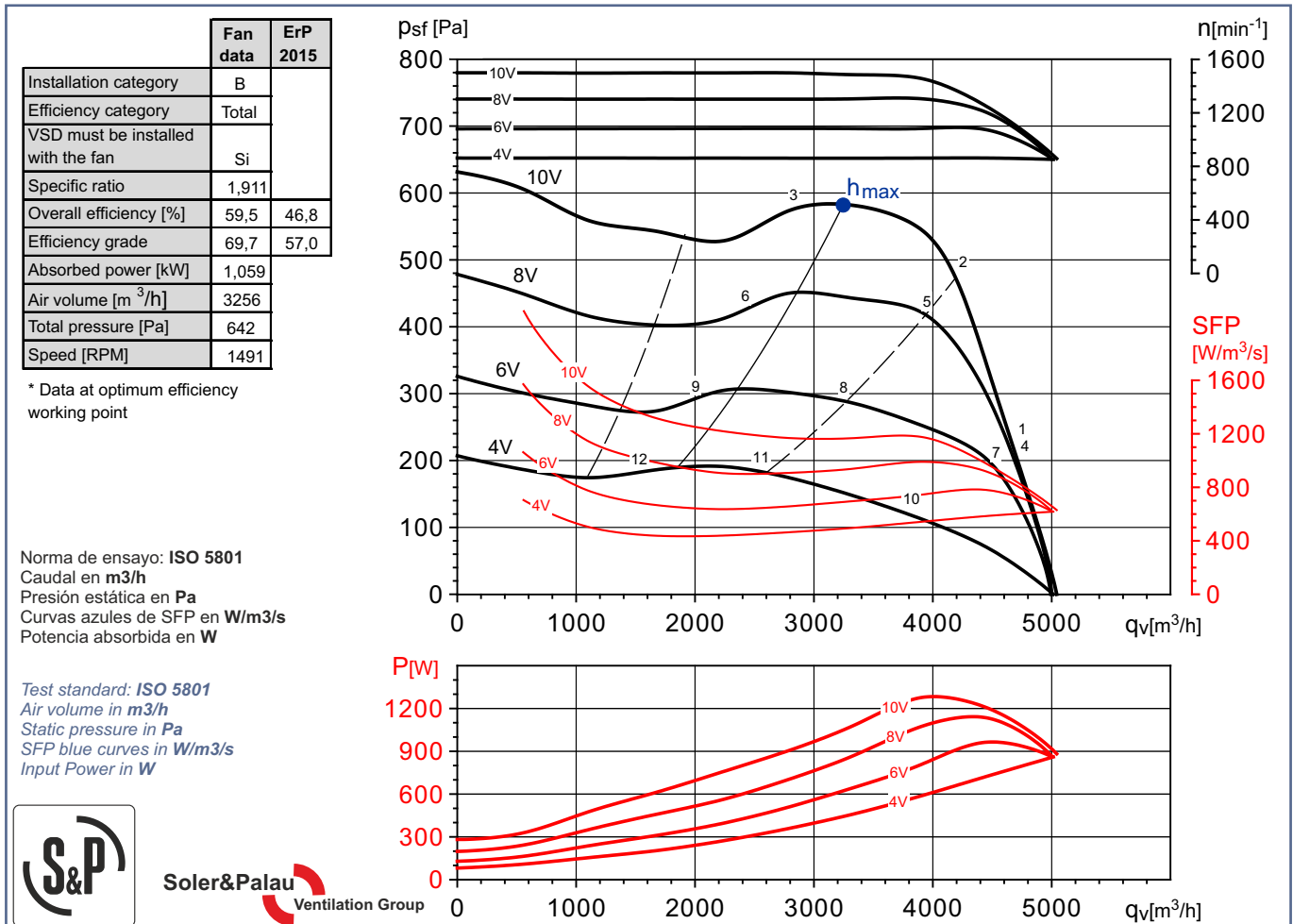
Dimensiones y conexiones  
Dimensions and wiring

### Características Characteristics

<b>Tensión Voltage</b>	1 ~#230V±10% 50/60Hz
<b>Tipo motor Motor type</b>	EC MOTOR - IP55 cl.B S1
<b>Velocidad máxima Maximum speed</b>	1500 RPM
<b>Potencia absorbida máxima Maximum absorbed power</b>	1,304 kW
<b>Intensidad absorbida máxima Maximum absorbed current</b>	5,4 A
<b>Material turbina Wheel material</b>	Galvanized sheet steel
<b>Temperatura del aire Air temperature</b>	-20°C<T<+40°C
<b>Peso Weight</b>	22 kg
<b>Código ventilador Fan code number</b>	<b>5128551800</b>
<b>Código motor Motor code number</b>	<b>9096000933</b>



### Curvas características / Performance curves (04/05/2021)



Soler&Palau  
Ventilation Group

# CBM/3-10/10 8-1500 A E00

## IP55



### Características

#### Characteristics

Model type	Input tension regul. (V)	Speed (rpm)	Maximum power absorbed (W)	Maximum current absorbed (A)	Maximum air volume (m3/h)
CBM/3-10/10 8-1500 A E00	10	1500	1304	5,4	5040
	8	1320	1183	5,0	5000
	6	1080	987	4,1	4990
	4	860	860	3,6	5010

### Características acústicas

#### Acoustic characteristics

Working point	63	125	250	500	1000	2000	4000	8000	LwA
1 INLET	56	68	74	76	81	80	77	69	85
2 INLET	56	68	74	76	81	80	77	69	85
3 INLET	55	67	73	75	80	79	76	68	84
4 INLET	56	68	74	76	81	80	77	69	85
5 INLET	55	67	73	75	80	79	76	68	84
6 INLET	51	63	69	71	76	75	72	64	80
7 INLET	55	67	73	75	80	79	76	68	84
8 INLET	51	63	69	71	76	75	72	64	80
9 INLET	47	59	65	67	72	71	68	60	76
10 INLET	51	63	69	71	76	75	72	64	80
11 INLET	45	57	63	65	70	69	66	58	74
12 INLET	41	53	59	61	66	65	62	54	70

Norma de ensayo: ISO 5801. Espectros de potencia sonora en dB(A)  
 Test standard: ISO 5801. Sound power spectrum in dB(A)

### Características técnicas

#### Technical features

- 0-10V / 4-20mA / PWM control signal input
- 0-10V or 4-20mA sensor input
- 0-10V (5mA) slave output
- 10VDC (10mA) output
- 24VDC (100mA) output
- Integrated PI control
- Active Power Factor Correction, PFC
- RS-485 ModBus-RTU
- Alarm relay
- Remote ON/OFF
- Leakage current ≤ 3.5 mA
- Hall Output (1 pulse/rev.)
- Fire mode

### Modos de funcionamiento

#### Operating modes

- Constant speed (rpm)
- Constant power (W)
- Constant torque (mNm)
- PI
- Proportional
- Min/Max
- Constant airflow sensorless (On demand from factory)
- Constant pressure sensorless (On demand from factory)

### Protecciones

#### Protections

- Rotor blocked
- Limitation by voltage / torque
- Heat-up of electronics and/or motor
- Detection of deviation from top / bottom voltage limits
- "Soft Start"
- Flying start
- Open phase
- Short circuit

### Directivas

#### Directives

- Immunity: EN 61000-6-2 (Industrial environment)
- Emission: EN 61000-6-3 (Household environment)
- Harmonics: EN 61000-3-2

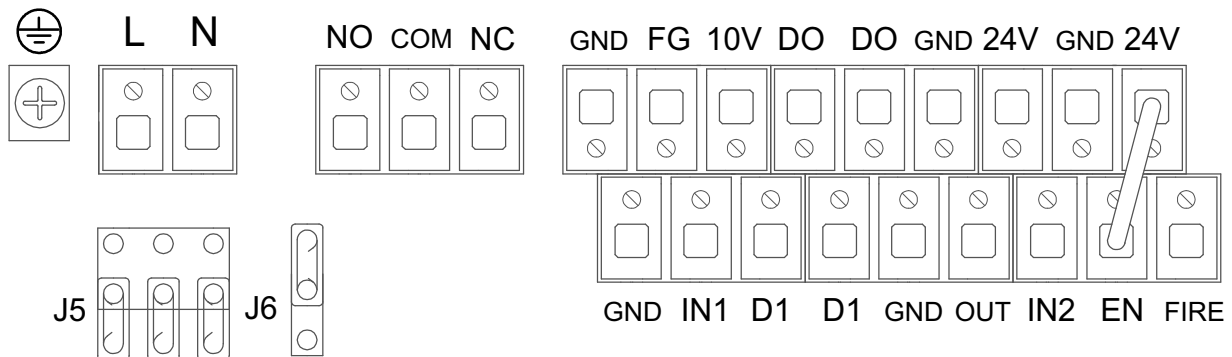


# CBM/3-10/10 8-1500 A E00

## IP55



Terminales  
Terminals



Terminal	Function/Technical specification
L, N	Supply voltage single phase 230V±10% 50/60Hz
NO	Status relay, open with internal error and/or motor stopped
COM	Status relay, shared connection (2A, 30VDC / 230VAC)
NC	Status relay, closed with internal error and/or motor stopped
GND	Earth reference for control
GND	Earth reference for control
FG	Hall Output (1 pulse/rev.)
IN1	Control signal input, 0-10V / 4-20mA / PWM
10V	Voltage output, 10VDC (10mA)
D1	RS485 interface for Modbus RTU
D0	RS485 interface for Modbus RTU
D1	RS485 interface for Modbus RTU
D0	RS485 interface for Modbus RTU
GND	Earth reference for control
GND	Earth reference for control
OUT	Slave output, 0-10V (5mA)
24V	Voltage output, 24VDC (100mA)
IN2	Sensor input, 0-10V / 4-20mA
GND	Earth reference for control
24V, EN	Remote ON/OFF; bridge between terminals, motor ON; ex-factory default bridge
24V, FIRE	Fire mode, disable all protections until final life fan. Function activated when bridge between terminals done
R, S, T	Output three phase voltage motor 230V
TP, TP	Motor thermal protection, manual reset

Jumper	Function/Technical specification
J5.1	Selection of input IN1, 0-10V/4-20mA sensor, open by default (0-10V)
J5.2	Selection of input IN2, 0-10V/4-20mA sensor, open by default (0-10V)
J5.3	Final selection Modbus network, open by default
J6	Selection of internal tachometer output (referenced to 10V), open by default

